



www.omegaautomatics.com



AUTOMATIC OPERATORS SURFACE MOUNT

SINGLE OR DOUBLE OPERATOR
OAL - 100

Phone: (905) 670-8008 | **Email:** info@omegaAL.com
105 Haist Avenue, Unit 7 Vaughan, Ontario, L4L 5V6



105 Haist Avenue, Unit 7 Vaughan, Ontario, L4L 5V6

Phone: (905) 670-8008

Email: info@omegaAL.com

OMEGA AUTOMATICS

HIGH QUALITY AUTOMATIC SWING AND SLIDING DOOR OPERATORS

ABOUT US

Proudly Canadian, Omega Automatics specializes in manufacturing fully automatic door operators that are engineered to provide barrier-free access for all persons, enabling reliable and convenient access to commercial, industrial, condominiums, public institutions and custom entrances.

With over 30+ years of experience in North America, Omega Automatics is the trusted operator of choice for high quality product performance, safety, and durability - built to last in the toughest weather conditions.

Designed with both the installer and customer in mind, our products are easy to install, safe and reliable and energy-efficient. Our inventory policy ensures that we have products in stock for prompt delivery and our customization capabilities make it easy to fulfill any special requirements to satisfy your clients' needs.

ENERGY EFFICIENT

With Power Assist and Low Energy power operation, our door operators comply with the latest ANSI A156.19 standards to provide energy savings at 42 amps per unit.

PROMPT DELIVERY

With high demand, a minimum level of inventory is in stock and available upon request, ensuring fast and efficient delivery when you need it most.

SATISFACTION GUARANTEED

Products are warranted on parts for a period of one **(1) year** from date of manufacture.



ABOUT US

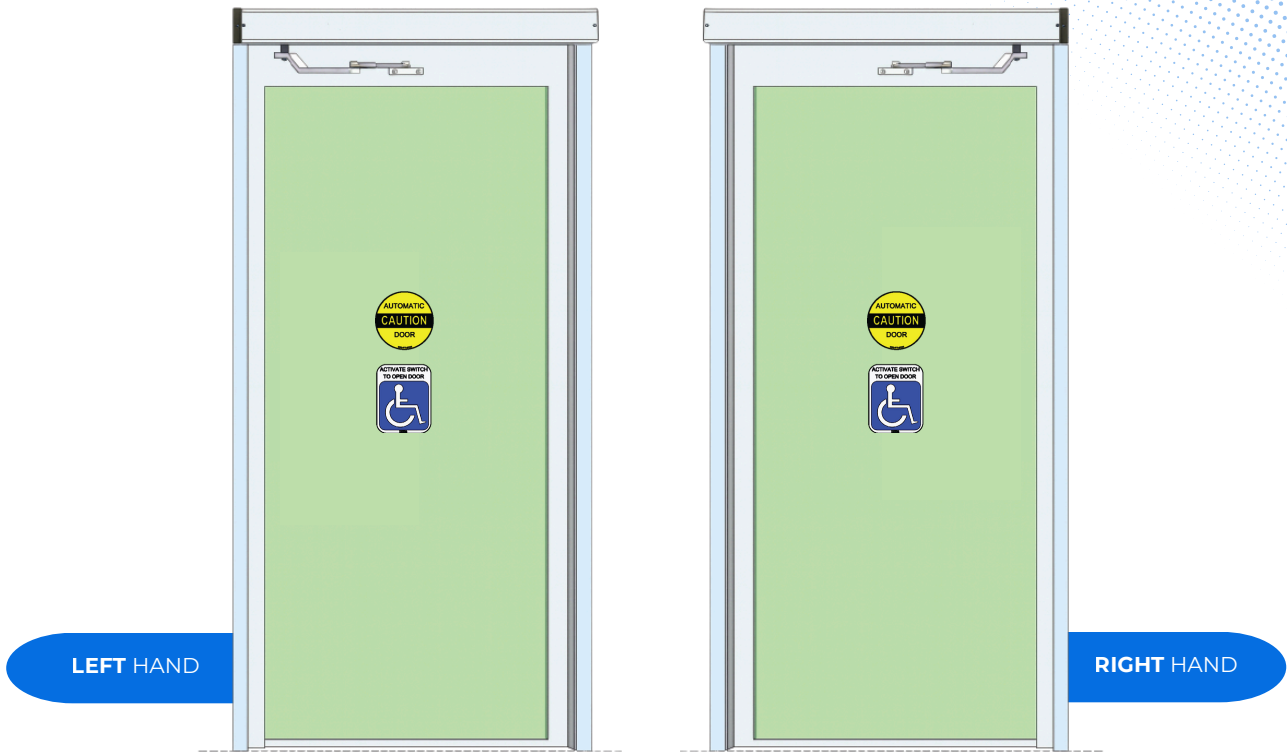
CONCEALED MOUNT - WITH PATCH / DOOR RAIL

CONCEALED MOUNT - TECHNICAL DRAWING



ELECTROMECHANICAL SYSTEMS

SURFACE MOUNT SINGLE | PULL OR PUSH CONFIGURATION



OVERVIEW

Designed for surface-mount single-door applications, this low-energy operator uses Omega's standard pull/push side arm to provide a smooth, controlled opening that meets accessibility requirements for all pedestrians.

FEATURES

Certifications	Grade 1 - ANSI BHMA A156.19, UL 991, UL 325, CAN.CSA Std. C22.2 #247, Meet ADA Requirements
Handing	Handed
Door weight & Width	Up to 400 Pounds, Max 48" Width
Temperature Range	-40C and +60C
Warranty	One year after the date of manufacture
Mounting	Single door, surface mount, offset pivot, pull side / push side
Fasteners	<ul style="list-style-type: none"> • Threaded tubular inserts (aluminum door) • 1/4-20 binding head & post screws (wood / hollow metal door)
Cover	Aluminum housing (Alloy: 6063-T5)
Power Input	<ul style="list-style-type: none"> • 24V (operator motor supply) • 1/3 HP motor
Power Output	Built-in low voltage power

MECHANICAL OPTION

Surface Mount Single | Push
Surface Mount Single | Pull

FINISHES

- Aluminum - Anodize
- Dark Bronze - Anodize
- Black - Anodize

Operator Housing	The operator housing Width X Height shall not exceed 5 1/8" x 4 3/8"
Opening and Closing time	<ul style="list-style-type: none"> • Adjustable opening speed through operator controls • Maximum hold open time adjustable up to approximately 50 seconds
Maximum opening	Opening angles from 80 to 180 Degrees.
Opening Direction	Reversible (can switch LH/RH)
Obstruction Safety	If the door is obstructed while opening, it will either stop or reverse (field selectable)



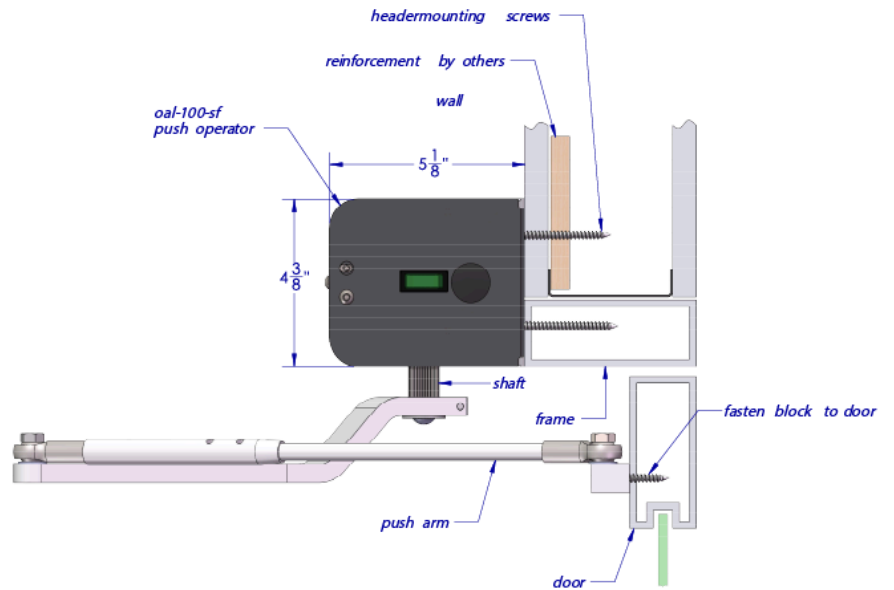
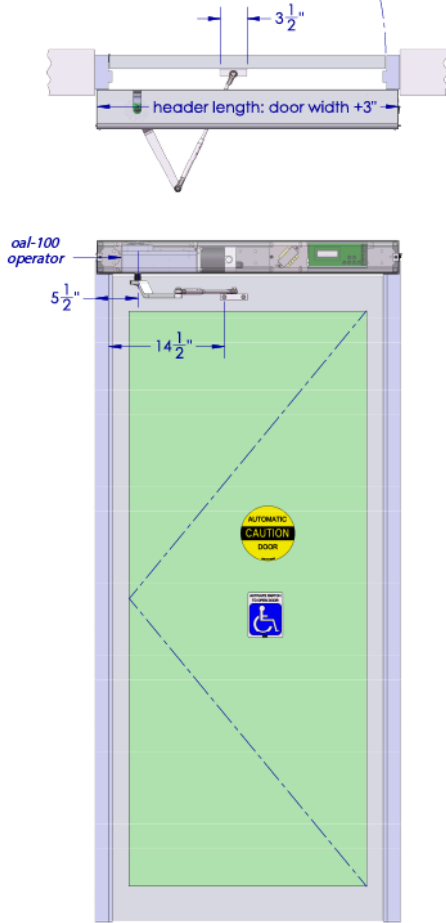
ABOUT US

SURFACE MOUNT - SINGLE

SURFACE MOUNT - DOUBLE

SURFACE MOUNT | SINGLE DOOR

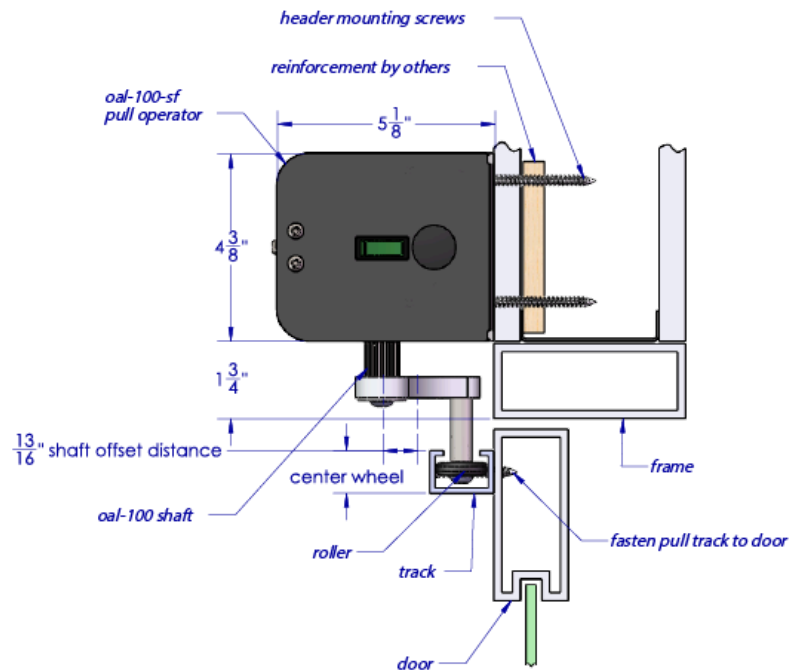
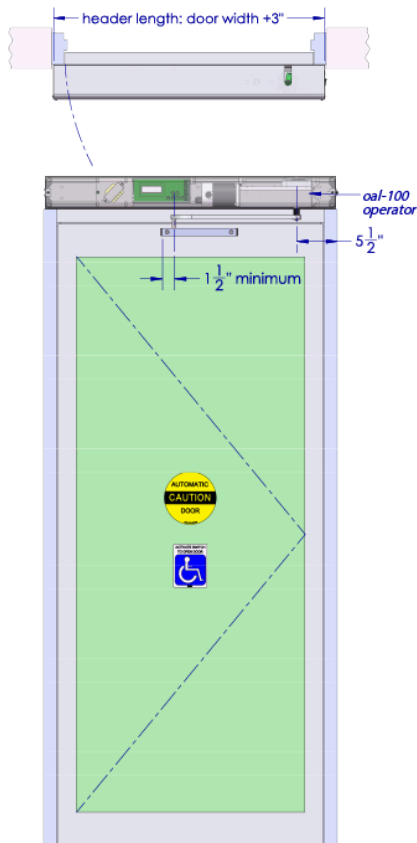
PUSH OPERATOR



Notes:
 Automatic swing door operator shall be "OAL-100" CETL USA approved, conforming to:
 UL Std. 325
 ANSI-BHMI Std. A156.19
 CAN. CSA Std. C22.2 #247
 UL-10C Fire Rating
 as manufactured by Omega Automatics

Standard finishes:
 Clear Anodize, Dark Bronze, Black Anodize

PULL OPERATOR



Notes:
 Automatic swing door operator shall be "OAL-100" CETL USA approved, conforming to:
 UL Std. 325
 ANSI-BHMI Std. A156.19
 CAN. CSA Std. C22.2 #247
 UL-10C Fire Rating
 as manufactured by Omega Automatics

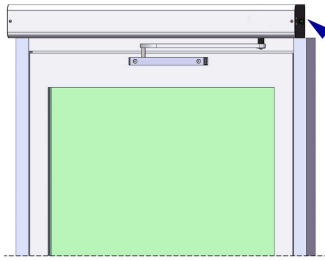
Standard finishes:
 Clear Anodize, Dark Bronze, Black Anodize

ABOUT US

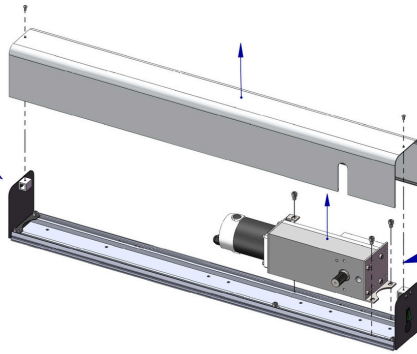
SURFACE MOUNT - SINGLE

SURFACE MOUNT - DOUBLE

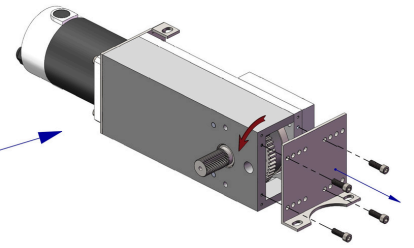
SWING DOOR OPERATOR REVERSE PULL TO PUSH CONFIGURATION | LEFT



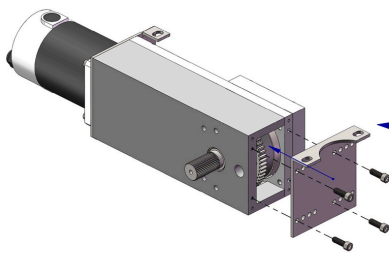
Uninstall the PL-L Operator



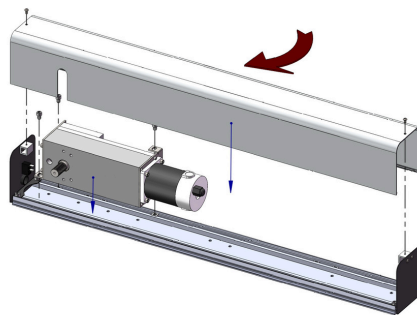
open the operator cover by unscrew two #10-32 button screws on both side, and take out the motor by uncrew three 1/4-20 socket head screws.



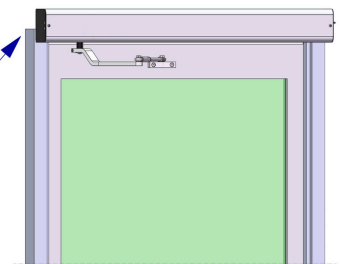
Disassemble the gearbox bracket by unscrew four 1/4-20 socket head screws and rotate the bracket 180 deg



Assemble the gearbox bracket by tightening four 1/4-20 socket head screws

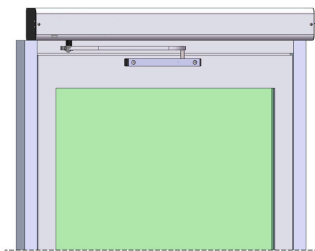


put the motor on the other side of the operator bottom rack install the PS-L Operator and rotate the operator cover 180 deg

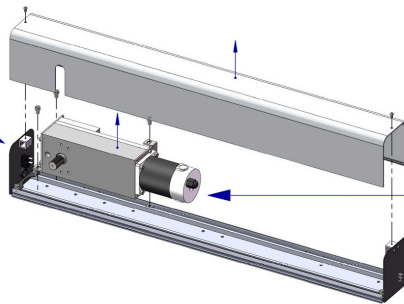


Install the PS-L Operator

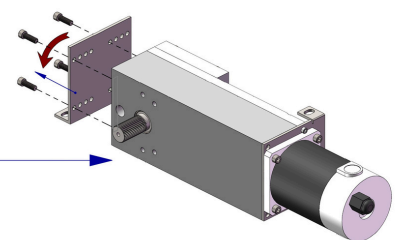
PULL TO PUSH CONFIGURATION | RIGHT



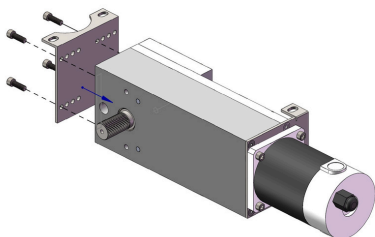
Uninstall the PL-R Operator



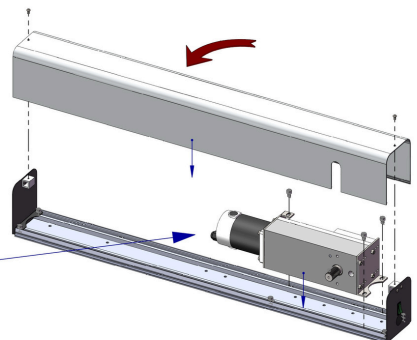
open the operator cover by unscrew two #10-32 button screws on both side, and take out the motor by uncrew three 1/4-20 socket head screws.



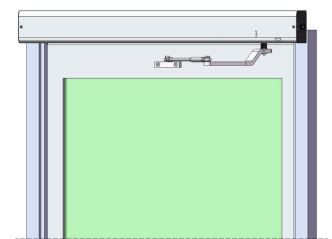
Disassemble the gearbox bracket by unscrew four 1/4-20 socket head screws and rotate the bracket 180 deg



Assemble the gearbox bracket by tightening four 1/4-20 socket head screws



put the motor on the other side of the operator bottom rack



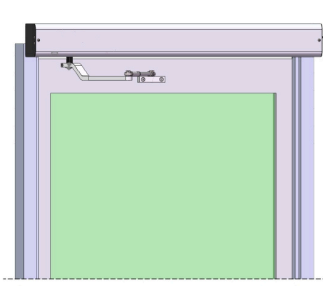
Install the PS-R Operator

ABOUT US

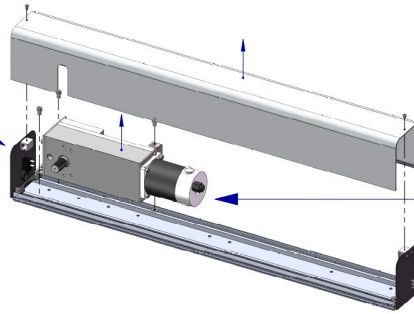
SURFACE MOUNT - SINGLE

SURFACE MOUNT - DOUBLE

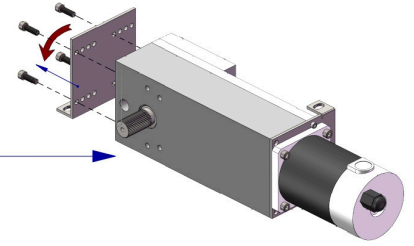
SWING DOOR OPERATOR REVERSE PUSH TO PULL CONFIGURATION | LEFT



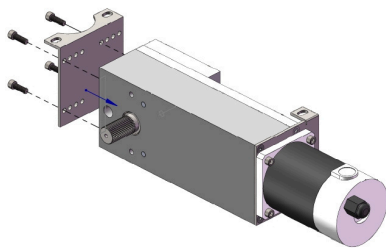
Uninstall the PS-L Operator



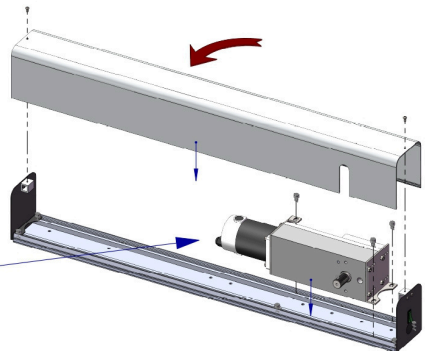
Open the operator cover by unscrew two #10-32 button screws on both side, and take out the motor by uncrew three 1/4-20 socket head screws.



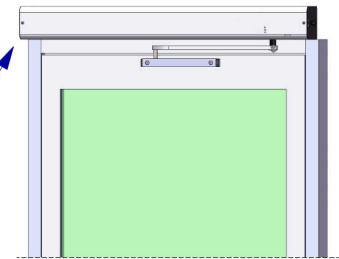
disassemble the gearbox ratchet by unscrew four 1/4-20 socket head screw and rotate the bracket 180 deg



Assemble the gearbox bracket by tightening four 1/4-20 socket head screws

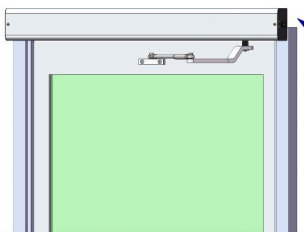


put the motor on the other side of the operator bottom rack and rotate the operator cover 180 deg

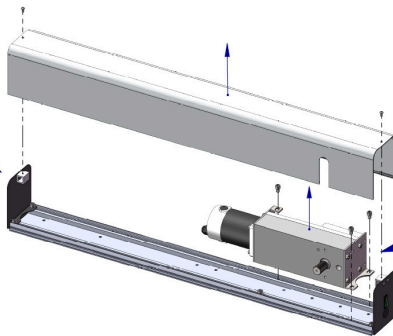


Install the PL-L Operator

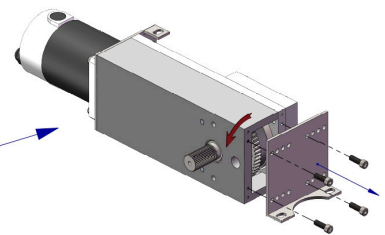
PUSH TO PULL CONFIGURATION | RIGHT



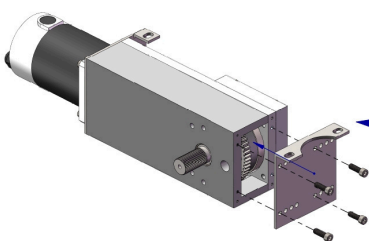
Uninstall the PS-R Operator



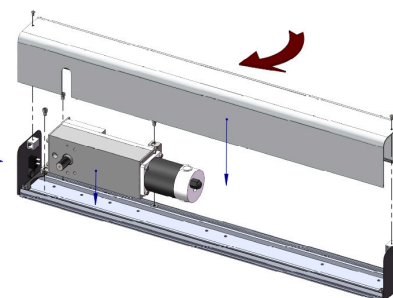
Open the operator cover by unscrew two #10-32 button screws on both side, and take out the motor by uncrew three 1/4-20 socket head screws.



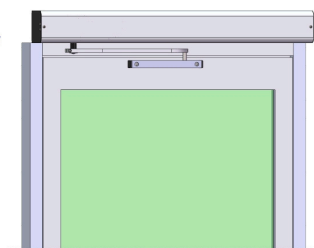
Disassemble the gearbox bracket by unscrew four 1/4-20 socket head screws and rotate the bracket 180 deg



Assemble the gearbox bracket by tightening four 1/4-20 socket head screws



put the motor on the other side of the operator bottom rack and rotate the operator cover 180 deg



Install the PL-R Operator

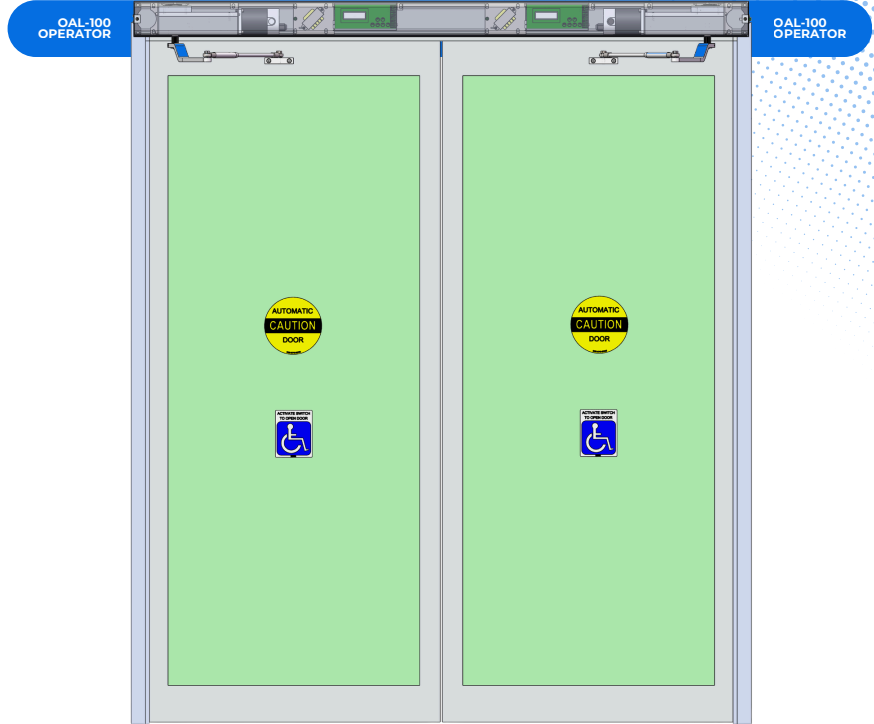
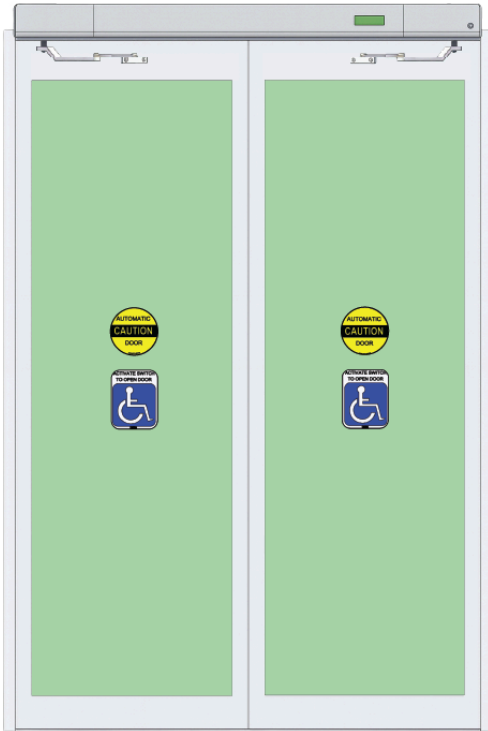
ABOUT US

SURFACE MOUNT - SINGLE

SURFACE MOUNT - DOUBLE

ELECTROMECHANICAL SYSTEMS

SURFACE MOUNT DOUBLE | DOUBLE AUTO



OVERVIEW

The Omega OAL-100 Double Auto system is a surface-mounted solution for double doors, using two motor gearboxes and two independent control boards for fully independent leaf operation. Arm kits are selected based on the door configuration.

FEATURES

Certifications	Grade 1 - ANSI BHMA A156.19, UL 991, UL 325, CAN.CSA Std. C22.2 #247, Meet ADA Requirements
Handing	Handed
Door weight & Width	Up to 400 Pounds, Max 48" (per leaf)
Temperature Range	-40C and +60C
Warranty	One year after the date of manufacture
Mounting	Independent pair, surface, pull, push, double egress
Fasteners	<ul style="list-style-type: none"> • Threaded tubular inserts (aluminum door) • 1/4-20 binding head & post screws (wood / hollow metal door)
Cover	Aluminum housing (Alloy: 6063-T5)
Power Input	<ul style="list-style-type: none"> • 24V (operator motor supply) • 1/3 HP motor
Power Output	Built-in low voltage power

MECHANICAL OPTION

Manual and Auto | Push and Pull
Double Auto | Push and Pull

FINISHES

- Aluminum - Anodize
- Dark Bronze - Anodize
- Black - Anodize

Operator Housing	The operator housing Width X Height shall not exceed 5 1/8" x 4 3/8"
Opening and Closing time	<ul style="list-style-type: none"> • Adjustable opening speed through operator controls • Maximum hold open time adjustable up to approximately 50 seconds
Maximum opening	Opening angles from 80 to 180 Degrees.
Manual Use	The operator serve as a manual door closer in direction of the swing with or without the electrical power.
Obstruction Safety	If the door is obstructed while opening, it will either stop or reverse (field selectable)



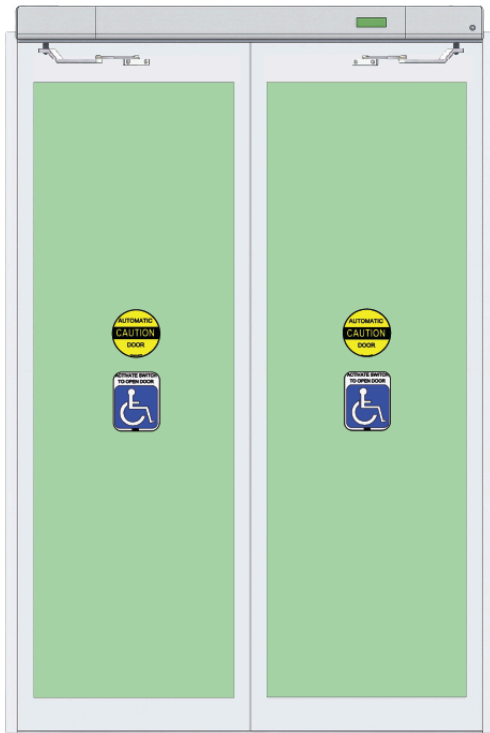
ABOUT US

SURFACE MOUNT - SINGLE

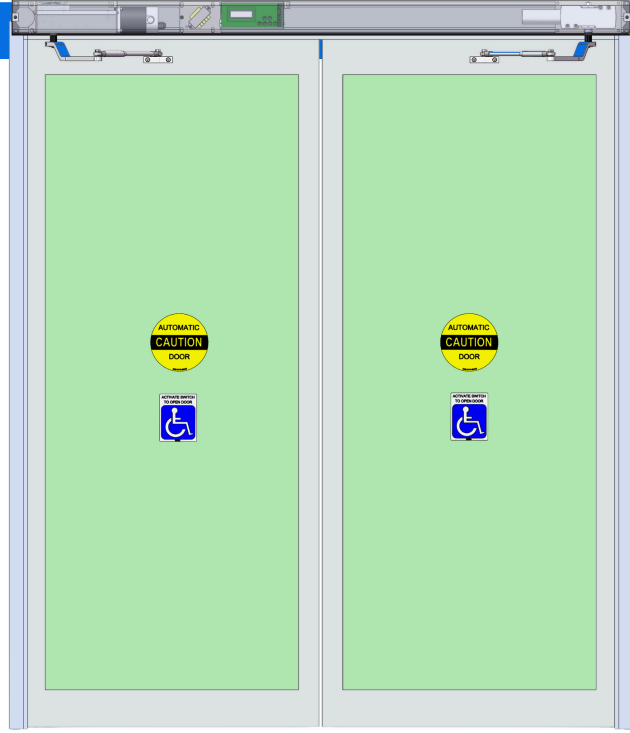
SURFACE MOUNT - DOUBLE

ELECTROMECHANICAL SYSTEMS

SURFACE MOUNT DOUBLE | MANUAL AUTO



OAL-100 OPERATOR



LCN 4040 MANUAL OPERATOR

OVERVIEW

The Omega OAL-100 Manual + Auto configuration pairs a single motor gearbox with one control board in a surface-mount header, providing powered operation on one leaf while the other functions manually. The assembly includes two arm kits to suit the door setup.

FEATURES

Certifications	Grade 1 - ANSI BHMA A156.19, UL 991, UL 325, CAN.CSA Std. C22.2 #247, Meet ADA Requirements
Handing	Handed
Door weight & Width	Up to 400 Pounds, Max 48" (per leaf)
Temperature Range	-40C and +60C
Warranty	One year after the date of manufacture
Mounting	Independent pair, surface, pull, push, double egress
Fasteners	<ul style="list-style-type: none"> • Threaded tubular inserts (aluminum door) • 1/4-20 binding head & post screws (wood / hollow metal door)
Cover	Aluminum housing (Alloy: 6063-T5)
Power Input	<ul style="list-style-type: none"> • 24V (operator motor supply) • 1/3 HP motor
Power Output	Built-in low voltage power

MECHANICAL OPTION

Manual and Auto | Push and Pull
Double Auto | Push and Pull

FINISHES

- Aluminum - Anodize
- Dark Bronze - Anodize
- Black - Anodize

Operator Housing	The operator housing Width X Height shall not exceed 5 1/8" x 4 3/8"
Opening and Closing time	<ul style="list-style-type: none"> • Adjustable opening speed through operator controls • Maximum hold open time adjustable up to approximately 50 seconds
Maximum opening	Opening angles from 80 to 180 Degrees.
Manual Use	The operator serve as a manual door closer in direction of the swing with or without the electrical power.
Obstruction Safety	If the door is obstructed while opening, it will either stop or reverse (field selectable)

ABOUT US

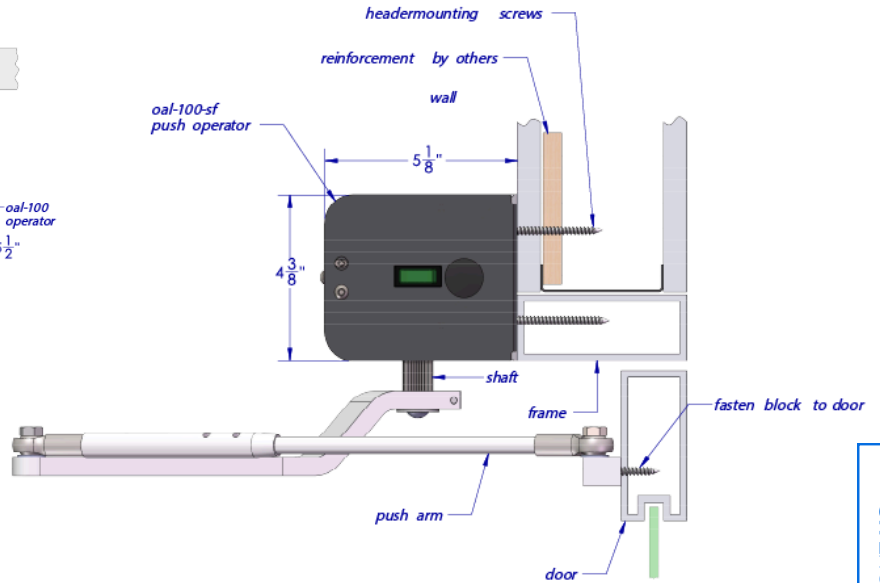
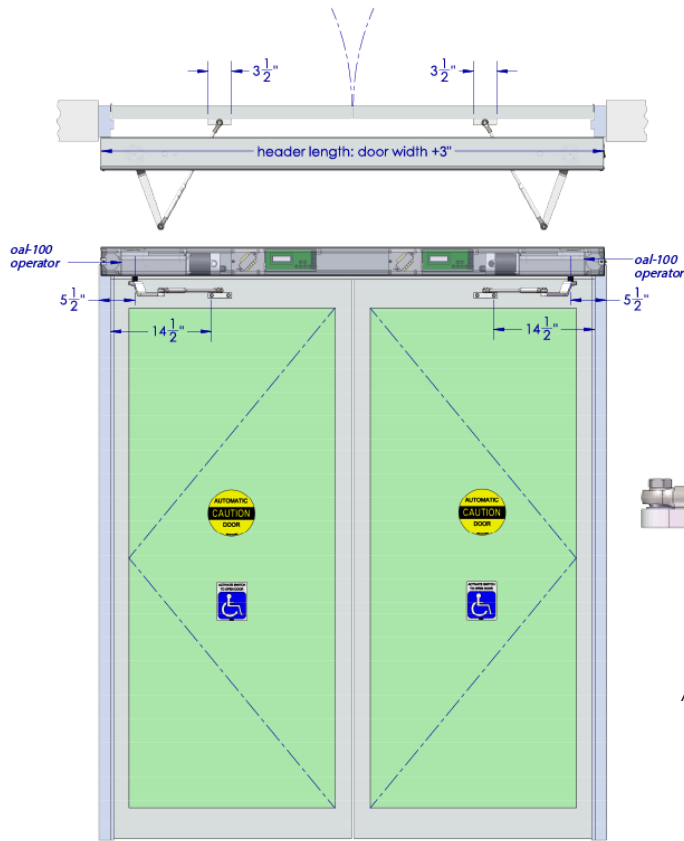
SURFACE MOUNT - SINGLE

SURFACE MOUNT - DOUBLE



SURFACE MOUNT | DOUBLE DOOR

DUAL PUSH OPERATOR



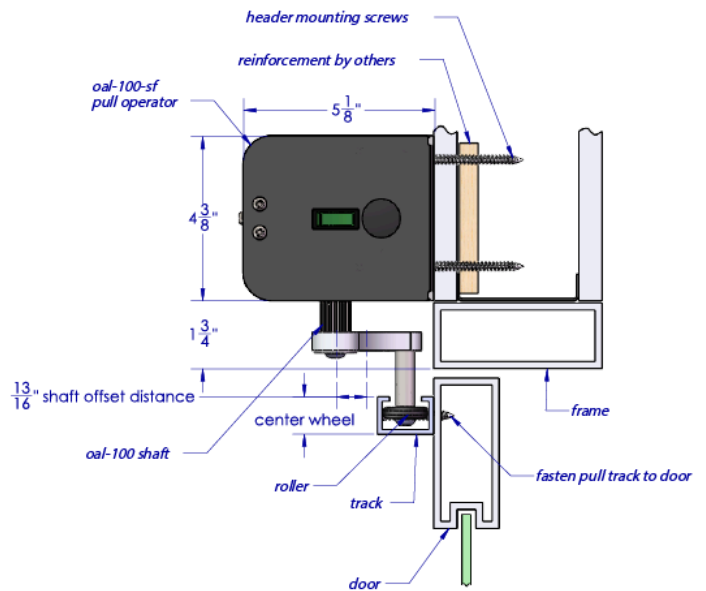
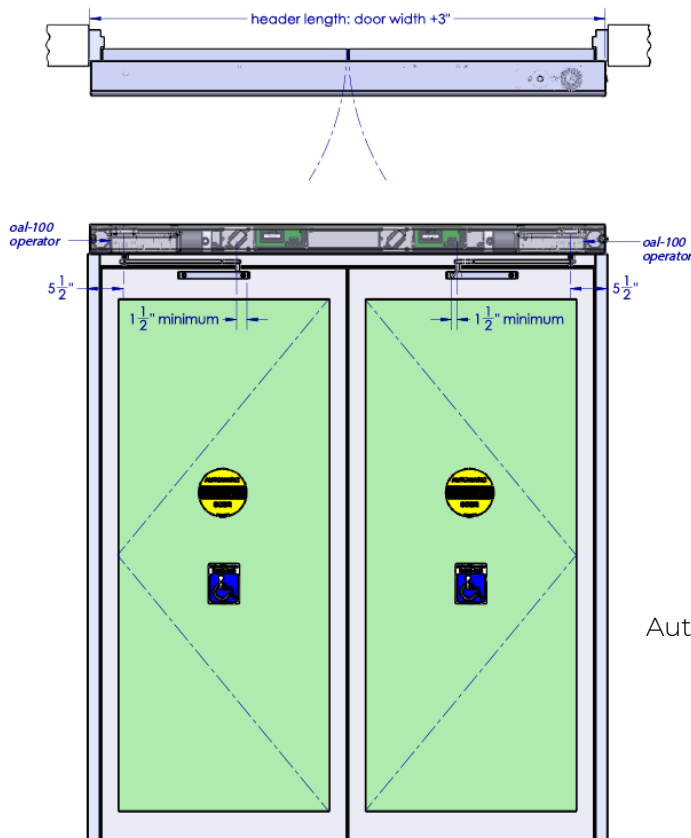
Notes:

Automatic swing door operator shall be "OAL-100" CETL USA approved, conforming to: UL Std. 325
ANSI-BHMI Std. A156.19
CAN. CSA Std. C22.2 #247
UL-10C Fire Rating
as manufactured by Omega Automatics

Standard finishes:

Clear Anodize, Dark Bronze, Black Anodize

DUAL PULL OPERATOR



Notes:

Automatic swing door operator shall be "OAL-100" CETL USA approved, conforming to: UL Std. 325
ANSI-BHMI Std. A156.19
CAN. CSA Std. C22.2 #247
UL-10C Fire Rating
as manufactured by Omega Automatics

Standard finishes:

Clear Anodize, Dark Bronze, Black Anodize

ABOUT US

SURFACE MOUNT - SINGLE

SURFACE MOUNT - DOUBLE

ELECTROMECHANICAL SYSTEMS CROSS REFERENCE

SURFACE MOUNT

OMEGA AUTOMATICS	LCN	DITEC	DETEX	RECORD
Surface Mount Single	95301Q	DAB305	AO19-1	DFA127
OMEGA AUTOMATICS	LCN	DITEC	DETEX	RECORD
Surface Mount Double - Manual Auto	95601Q	DAB305	AO19-1	N/A
OMEGA AUTOMATICS	LCN	DITEC	DETEX	RECORD
Surface Mount Double - Double Auto	950 SERIES	DAB305	AO19-2	DFA127

CONCEALED MOUNT

OMEGA AUTOMATICS	LCN	DITEC	DETEX	RECORD
Concealed mount - Center spindle	28101Q	N/A	N/A	8600 SERIES
OMEGA AUTOMATICS	LCN	DITEC	DETEX	RECORD
Concealed mount - Center hung	95301Q	DAB105	N/A	DFA127

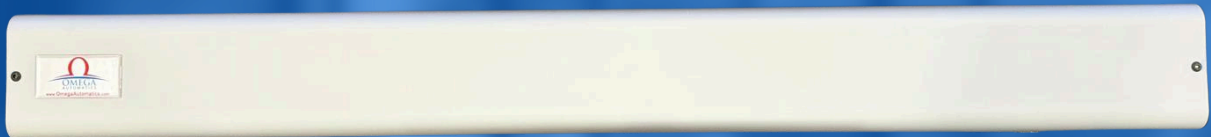


Phone: (905) 670-8008 | **Email:** info@omegaAL.com
105 Haist Avenue, Unit 7 Vaughan, Ontario, L4L 5V6
www.omegaautomatics.com





www.omegaautomatics.com



AUTOMATIC OPERATORS CONCEALED MOUNT

CENTER SPINDLE & CENTER HUNG

Phone: (905) 670-8008 | **Email:** info@omegaAL.com
105 Haist Avenue, Unit 7 Vaughan, Ontario, L4L 5V6



105 Haist Avenue, Unit 7 Vaughan, Ontario, L4L 5V6

Phone: (905) 670-8008

Email: info@omegaAL.com

OMEGA AUTOMATICS

HIGH QUALITY AUTOMATIC SWING AND SLIDING DOOR OPERATORS

ABOUT US

Proudly Canadian, Omega Automatics specializes in manufacturing fully automatic door operators that are engineered to provide barrier-free access for all persons, enabling reliable and convenient access to commercial, industrial, condominiums, public institutions and custom entrances.

With over 30+ years of experience in North America, Omega Automatics is the trusted operator of choice for high quality product performance, safety, and durability - built to last in the toughest weather conditions.

Designed with both the installer and customer in mind, our products are easy to install, safe and reliable and energy-efficient. Our inventory policy ensures that we have products in stock for prompt delivery and our customization capabilities make it easy to fulfill any special requirements to satisfy your clients' needs.

ENERGY EFFICIENT

With Power Assist and Low Energy power operation, our door operators comply with the latest ANSI A156.19 standards to provide energy savings at 42 amps per unit.

PROMPT DELIVERY

With high demand, a minimum level of inventory is in stock and available upon request, ensuring fast and efficient delivery when you need it most.

SATISFACTION GUARANTEED

Products are warranted on parts for a period of one **(1) year** from date of manufacture.



ABOUT US

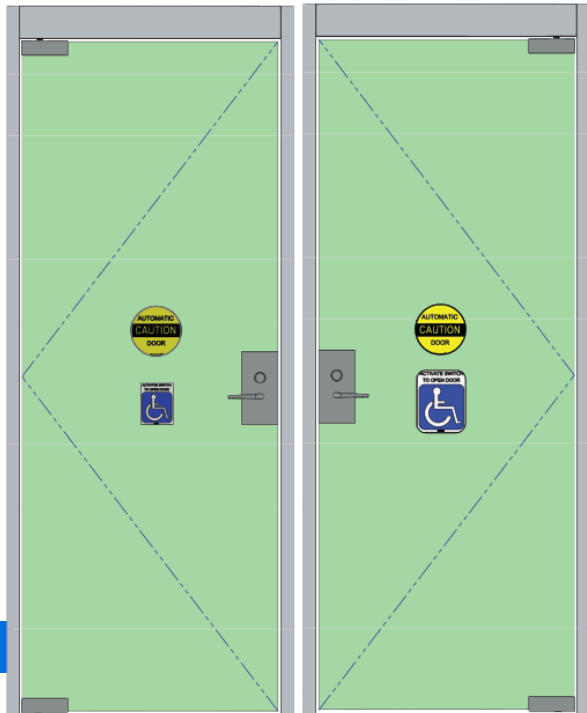
CONCEALED MOUNT - WITH PATCH / DOOR RAIL

CONCEALED MOUNT - TECHNICAL DRAWING

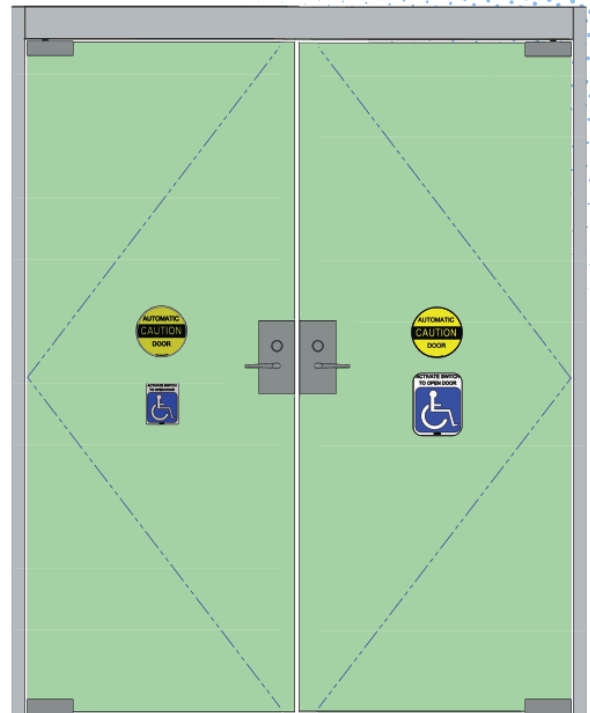


ELECTROMECHANICAL SYSTEMS

CONCEALED MOUNT WITH PATCH HARDWARE



SINGLE DOOR



DOUBLE DOOR

OVERVIEW

The Omega concealed swing door operator is designed for in-ground applications using a door patch fitting. In a center-spindle or center-hung setup, it delivers smooth, controlled opening for accessibility and supports manual use with Power Assist and Push to activate.

FEATURES

Certifications	Grade 1 - ANSI BHMA A156.19, UL 991, UL 325, CAN.CSA Std. C22.2 #247, Meet ADA Requirements
Handing	Handed
Door weight & Width	Up to 400 Pounds, Max 48" (per leaf)
Temperature Range	-40C and +60C
Warranty	One year after the date of manufacture
Mounting	Single door, overhead concealed, center pivot, offset pivot, butt hinge
Fasteners	<ul style="list-style-type: none"> • Threaded tubular inserts (aluminum door) • 1/4-20 binding head & post screws (wood / hollow metal door)
Cover	Aluminum housing (Alloy: 6063-T5)
Power Input	<ul style="list-style-type: none"> • 24V (operator motor supply) • 1/3 HP motor
Power Output	Built-in low voltage power

MECHANICAL OPTION

Concealed Mount Single Center Spindle | Offset Pivot
 Concealed Mount Single Center Hung | Center Pivot
 Concealed Mount Double Center Spindle | Offset Pivot
Auto - Manual | Auto - Auto
 Concealed Mount Double Center Hung | Center Pivot
Auto - Manual | Auto - Auto

Operator Housing	The operator housing Width X Height shall not exceed 5 1/8" x 4 3/8"
Opening and Closing time	<ul style="list-style-type: none"> • Adjustable opening speed through operator controls • Maximum hold open time adjustable up to approximately 50 seconds
Maximum opening	Opening angles from 80 to 180 Degrees.
Manual Use	The operator serve as a manual door closer in direction of the swing with or without the electrical power.
Finishes	<ul style="list-style-type: none"> • Aluminum - Anodize • Dark Bronze - Anodize • Light Bronze - Anodize



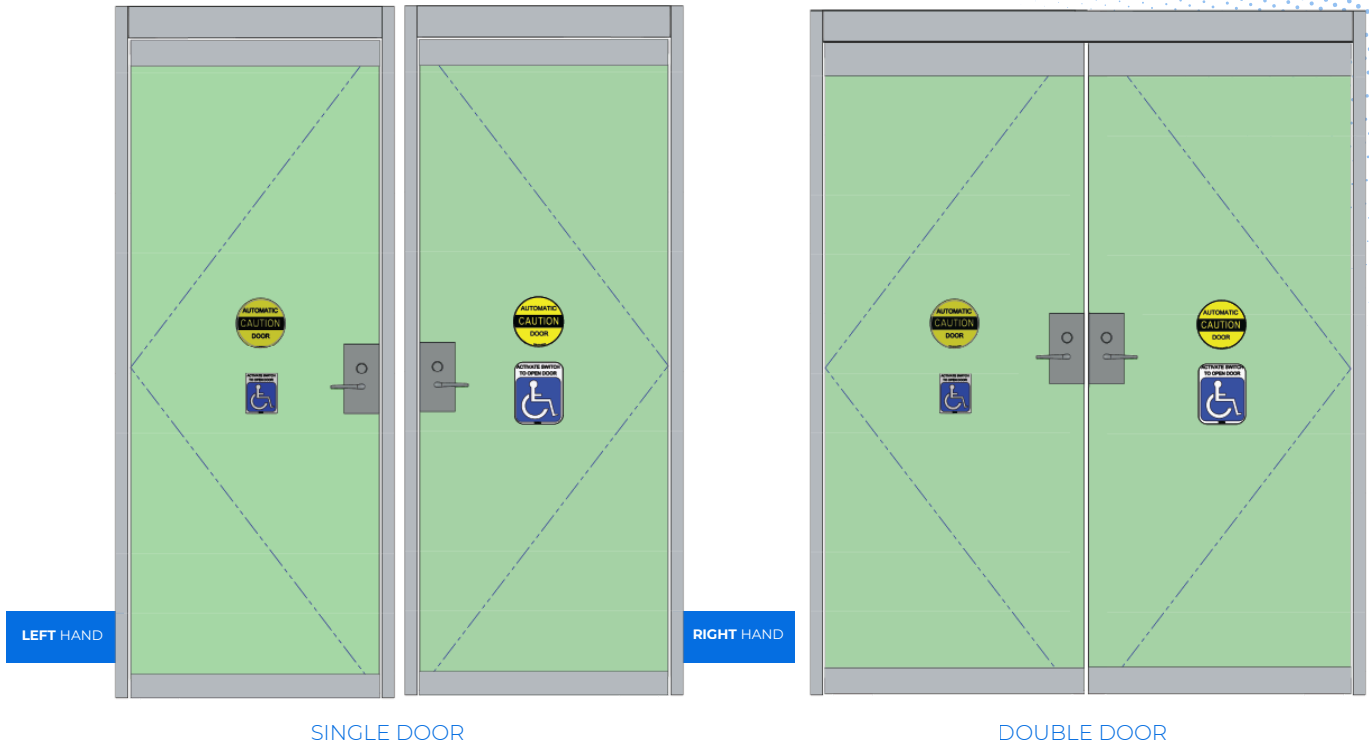
ABOUT US

CONCEALED MOUNT - WITH PATCH / DOOR RAIL

CONCEALED MOUNT - TECHNICAL DRAWING

ELECTROMECHANICAL SYSTEMS

CONCEALED MOUNT WITH DOOR RAIL



SINGLE DOOR

DOUBLE DOOR

OVERVIEW

The Omega concealed swing door operator can also be installed with a top door rail, allowing an overhead-concealed configuration. This setup provides smooth, low-energy opening for accessibility and maintains easy manual operation with Power Assist and Push to activate.

FEATURES

Certifications	Grade 1 - ANSI BHMA A156.19, UL 991, UL 325, CAN.CSA Std. C22.2 #247, Meet ADA Requirements
Handing	Handed
Door weight & Width	Up to 400 Pounds, Max 48" (per leaf)
Temperature Range	-40C and +60C
Warranty	One year after the date of manufacture
Mounting	Single door, overhead concealed, center pivot, offset pivot, butt hinge
Fasteners	<ul style="list-style-type: none"> • Threaded tubular inserts (aluminum door) • 1/4-20 binding head & post screws (wood / hollow metal door)
Cover	Aluminum housing (Alloy: 6063-T5)
Power Input	<ul style="list-style-type: none"> • 24V (operator motor supply) • 1/3 HP motor
Power Output	Built-in low voltage power

MECHANICAL OPTION

Concealed Mount Single Center Spindle | Offset Pivot
 Concealed Mount Single Center Hung | Center Pivot
 Concealed Mount Double Center Spindle | Offset Pivot
Auto - Manual | Auto - Auto
 Concealed Mount Double Center Hung | Center Pivot
Auto - Manual | Auto - Auto

Operator Housing	The operator housing Width X Height shall not exceed 5 1/8" x 4 3/8"
Opening and Closing time	<ul style="list-style-type: none"> • Adjustable opening speed through operator controls • Maximum hold open time adjustable up to approximately 50 seconds
Maximum opening	Opening angles from 80 to 180 Degrees.
Manual Use	The operator serve as a manual door closer in direction of the swing with or without the electrical power.
Finishes	<ul style="list-style-type: none"> • Aluminum - Anodize • Dark Bronze - Anodize • Light Bronze - Anodize

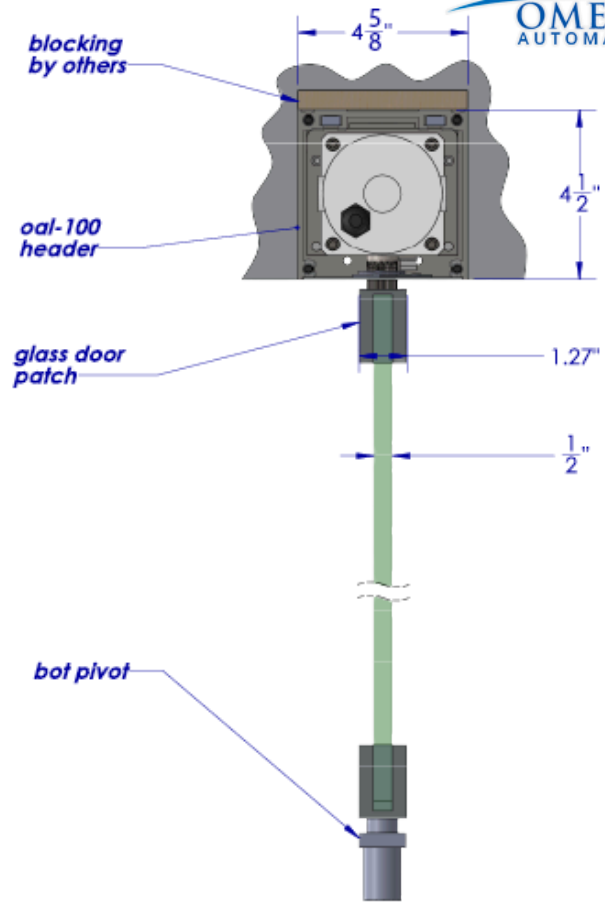


ABOUT US

CONCEALED MOUNT - WITH PATCH / DOOR RAIL

CONCEALED MOUNT - TECHNICAL DRAWING

CENTER HUNG GLASS DOOR



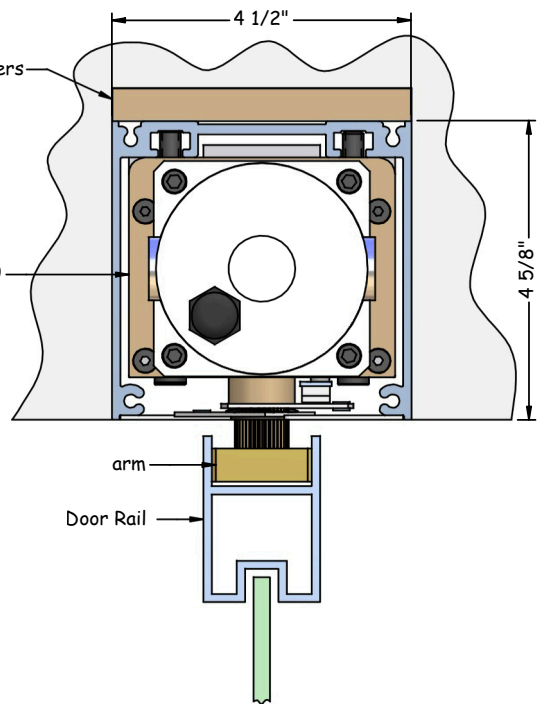
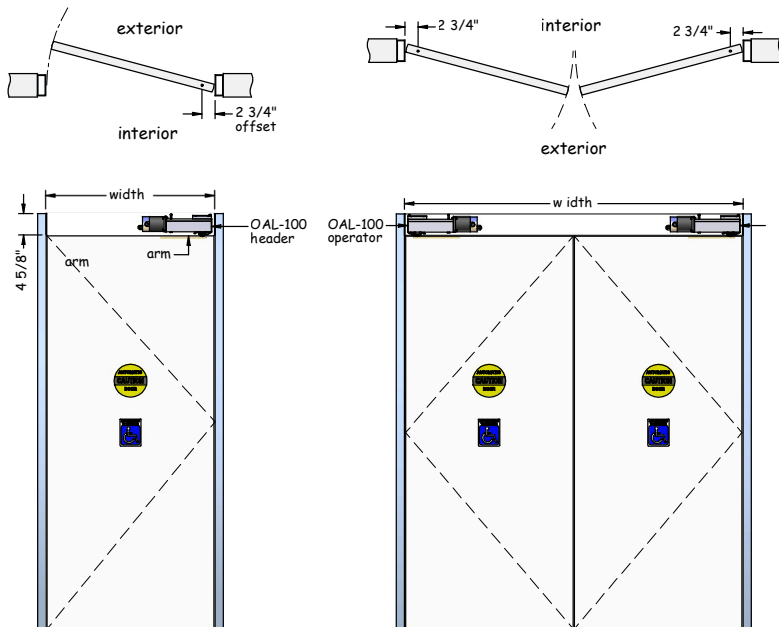
Note:

"OA-100-CH" is approved by TUV SUD America Inc., conforming to: UL Std. 325
ANSI/BHMA Std. A156.19
CAN. CSA Std. C22.2 #247
as manufactured by Omega Automatics
38" clear opening required to meet ADA requirements

Standard finishes: Clear Anodize, Dark Bronze, Light Bronze, Custom finishes available

CENTER HUNG SINGLE DOOR | DOUBLE DOOR

blocking by others



Note:

"OA-100-CH" is approved by TUV SUD America Inc., conforming to: UL Std. 325 ANSI/BHMA Std. A156.19
CAN. CSA Std. C22.2 #247
as manufactured by Omega Automatics
38" clear opening required to meet ADA requirements

Standard finishes: Clear Anodize, Dark Bronze, Light Bronze, Custom finishes available

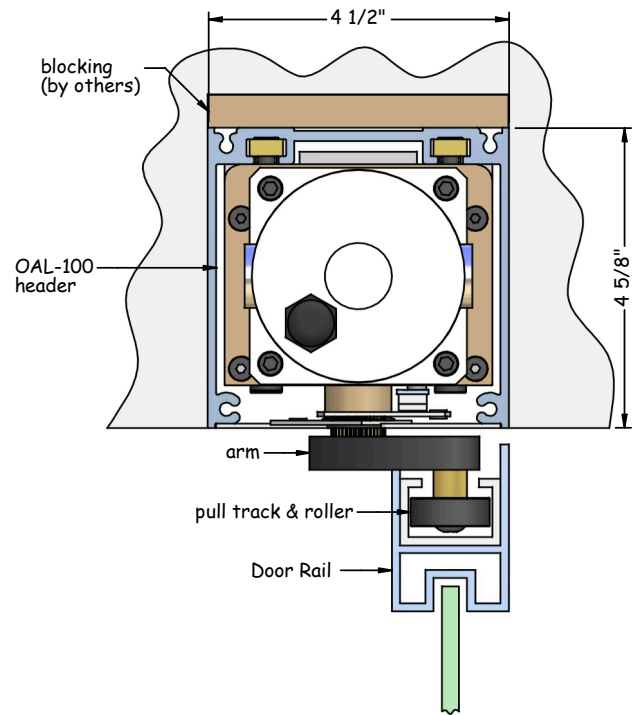
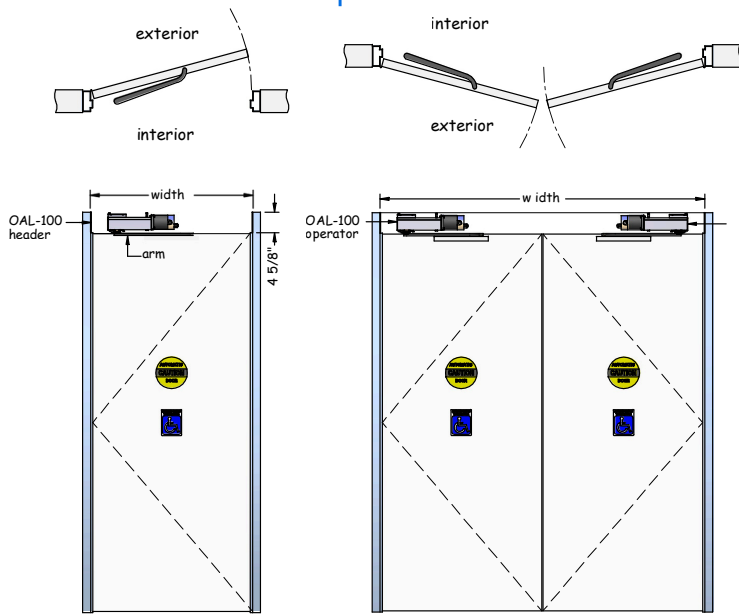
ABOUT US

CONCEALED MOUNT - WITH PATCH / DOOR RAIL

CONCEALED MOUNT - TECHNICAL DRAWING

CENTER SPINDLE

SINGLE DOOR | DOUBLE DOOR



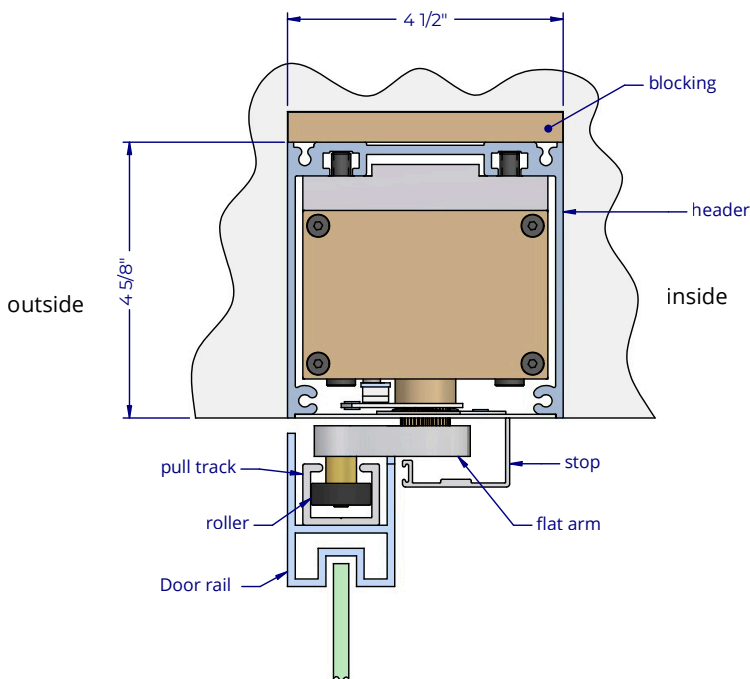
Note:

"OA-100-CS" is approved by TUV SUD America Inc., conforming to: UL Std. 325
ANSI/BHMA Std. A156.19
CAN. CSA Std. C22.2 #247
38" clear opening required to meet ADA requirements

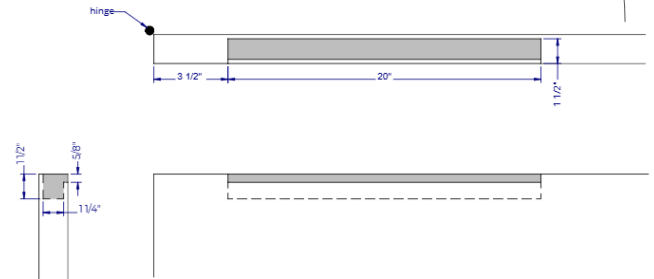
Standard finishes: Clear Anodize, Dark Bronze, Light Bronze, Custom finishes available

CENTER SPINDLE

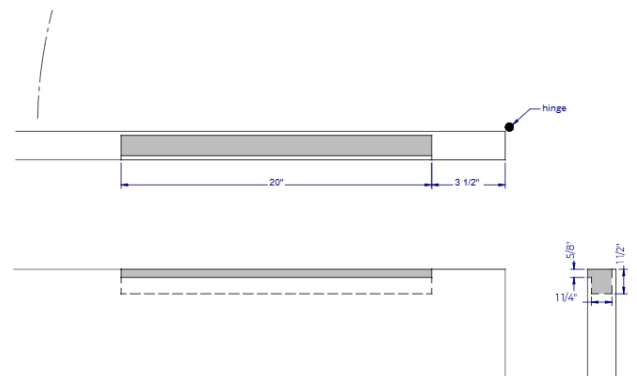
CONCEALED MOUNT | DOOR PREP



Left Door Prep



Right Door Prep



ABOUT US

CONCEALED MOUNT - WITH PATCH / DOOR RAIL

CONCEALED MOUNT - TECHNICAL DRAWING

ELECTROMECHANICAL SYSTEMS CROSS REFERENCE

SURFACE MOUNT

OMEGA AUTOMATICS	LCN	DITEC	DETEX	RECORD
Surface Mount Single	95301Q	DAB305	AO19-1	DFA127
OMEGA AUTOMATICS	LCN	DITEC	DETEX	RECORD
Surface Mount Double - Manual Auto	95601Q	DAB305	AO19-1	N/A
OMEGA AUTOMATICS	LCN	DITEC	DETEX	RECORD
Surface Mount Double - Double Auto	950 SERIES	DAB305	AO19-2	DFA127

CONCEALED MOUNT

OMEGA AUTOMATICS	LCN	DITEC	DETEX	RECORD
Concealed mount - Center spindle	28101Q	N/A	N/A	8600 SERIES
OMEGA AUTOMATICS	LCN	DITEC	DETEX	RECORD
Concealed mount - Center hung	95301Q	DAB105	N/A	DFA127



Phone: (905) 670-8008 | **Email:** info@omegaAL.com
105 Haist Avenue, Unit 7 Vaughan, Ontario, L4L 5V6
www.omegaautomatics.com

